

## BX49S SERIES CRYSTAL - 13.2 x 5.0 x 4.4mm SMD

Frequency Range	3.200MHz to 100.000MHz
Overtone	Fundamental / 3 <sup>rd</sup> / BT
Mode of Oscillation	3.200MHz ~ 40.000MHz 24.000 ~ 100.000MHz
Operating Temperature Range	-20 °C to +70°C or -40 °C to +85°C
Storage Temperature Range	-40 °C to +85°C
Frequency Tolerance (25 °C)	±10 ppm ~ ±50 ppm
Frequency Stability	±10 ppm to ±100 ppm (See Table Below)
Load Capacitance (CL)	6pF ~ Series (User Spec)
Shunt Capacitance	7pF max
Drive Level (DL)	100µW typical (1mW maximum)
Aging	±5 ppm per year max
Insulation Resistance	500MΩ min at 100Vdc ±15V

## MOTIONAL RESISTANCE (ESR)

Freq MHz	Max ESR	Mode	Freq MHz	Max ESR	Mode
3.200~3.579	250Ω	Fund.	7.000~9.999	60	Fund.
3.580~3.999	180Ω	Fund.	10.000~13.999	50	Fund.
4.000~4.999	120Ω	Fund.	14.000~40.000	40	Fund.
5.000~5.999	100Ω	Fund.	24.000~34.999	100	3rd
6.000~6.999	80Ω	Fund.	35.000~100.000	80	3rd

## PART NUMBERING GUIDE

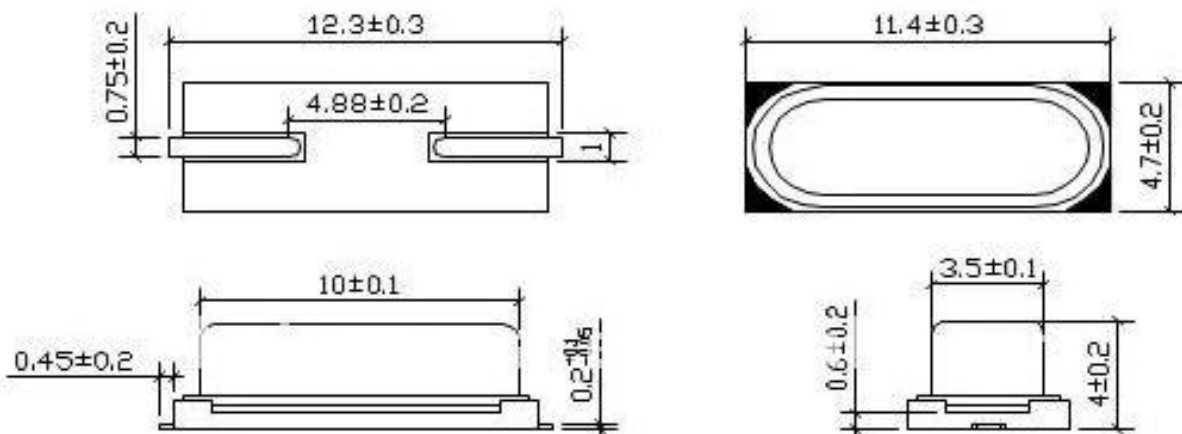
Series	Tolerance	Temperature Range/Stability	Load	Frequency
BX49S	±10ppm = 1 ±15ppm = 2 ±20ppm = 3 ±25ppm = 4 ±30ppm = 5	-20 °C to +70°C/ ±10ppm = A -20 °C to +70°C/ ±15ppm = B -20 °C to +70°C/ ±20ppm = C -20 °C to +70°C/ ±25ppm = D -20 °C to +70°C/ ±30ppm = E -20 °C to +70°C/ ±50ppm = F -40 °C to +85°C/ ±15ppm = G -40 °C to +85°C/ ±20ppm = H -40 °C to +85°C/ ±25ppm = J -40 °C to +85°C/ ±30ppm = K -40 °C to +85°C/ ±50ppm = L -40 °C to +85°C/ ±100ppm = M	06 = 6pF 10 = 10pF 12 = 12pF 18 = 18pF XX = Choice pF Series = S	25M000

For other Tolerance, Stability, and Temperature options please consult factory

**Example P/N: BX49S – 1 – C – 12.5 – 25M000**

To Request a Quote click here - [www.beckelec.com/request-a-quote/](http://www.beckelec.com/request-a-quote/)

## MECHANICAL DRAWING



6718 N. 59th Avenue, Glendale, AZ 85301 ▪ Phone: 623-435-6555

Website: [www.beckelec.com](http://www.beckelec.com) ▪ Email: [sales@beckelec.com](mailto:sales@beckelec.com)